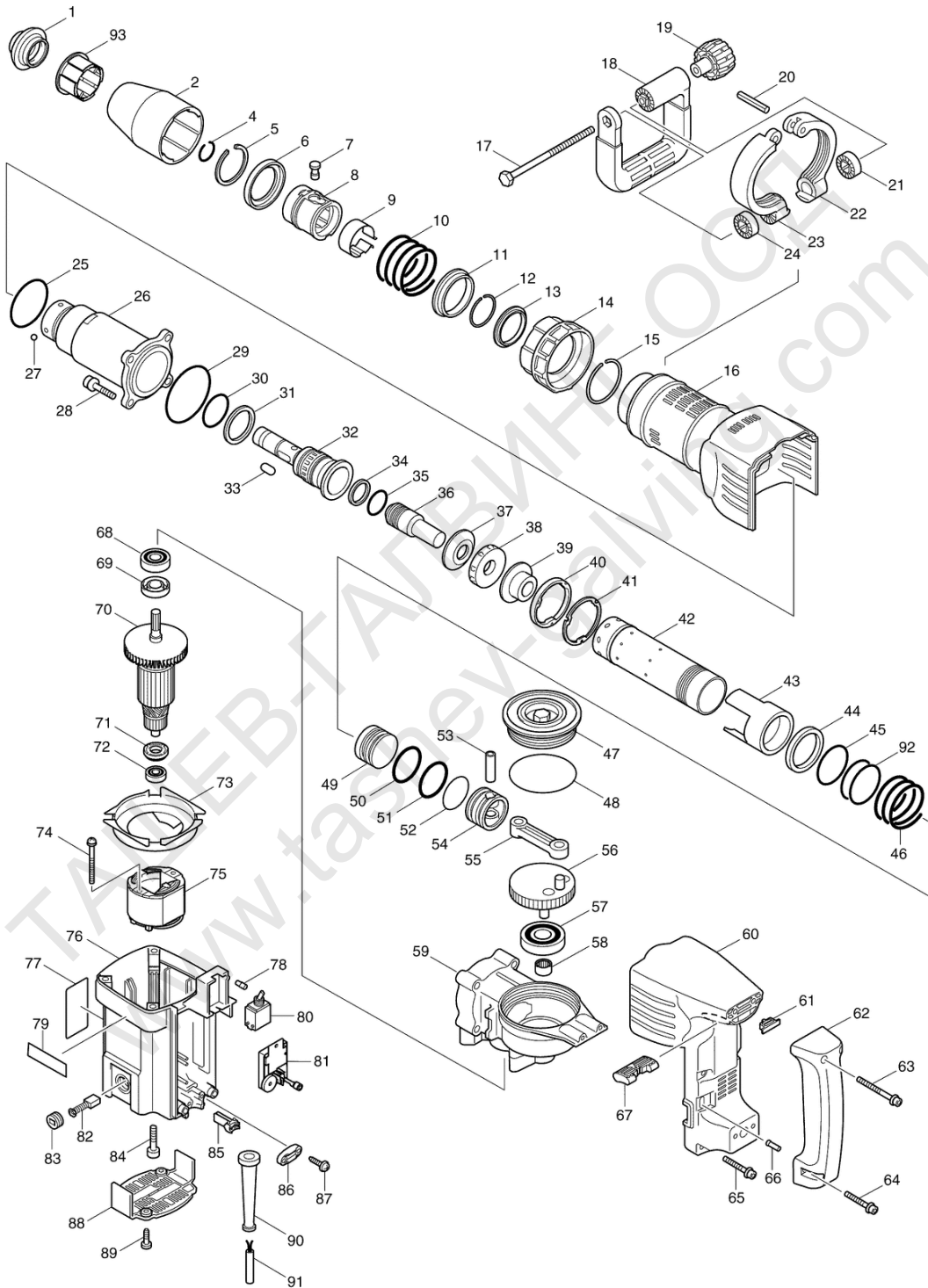


Makita Service Information / Model: HM1202C



POS	Bestell-Nr.	Artikelbeschreibung	Stk.
1	286250-3	WERKZEUGH.-KAPPE HR5001C/HM12	1
2	416933-3	WERKZEUGHALTER-DECKEL HM1202C	1
2.2	417577-2	WERKZEUGHALTER-DECKEL neu	1
3	233217-2	DRUCKFEDER 51 HR5001C	1
4	231984-3	RINGFEDER 25 HR3541FC	1
5	961232-3	SEEGERING WR-45 HR5001C/HM120	1
6	267735-8	ABDECKKAPPE 45 HR5001C/HM1202	1
7	323767-6	ANSATZSTIFT 8 HR5001C/HM1202C	1
8	323773-1	BOHRFUTTERRING HR5001C	1
8.2	324108-9	BOHRFUTTERRING HM1202C	1
8.3	324185-1	BOHRFUTTERRING HM1202C neu	1
9	232180-6	BLATTFEDER 41 HR5001C/HM1202C	1
10	233218-0	DRUCKFEDER 55 HR5001C/HM1202C	1
11	323876-1	STAHLKUGELFÜHRUNG HM1202C	1
11.2	324131-4	STAHLKUGELFÜHRUNG HM1202C neu	1
12	231988-5	RINGFEDER 34 HM1202C	1
12.2	233909-3	RINGFEDER 33 HM1202C neu	1
13	267197-0	SCHEIBE 37 HM1202C	1
13.2	267197-0	SCHEIBE 37 HM1202C	1
13.3	267760-9	SCHEIBE 37 HM1202C neu	1
14	416934-1	STELLRING HM1202C	1
15	231989-3	RINGFEDER 46 HM1202C	1
16	416938-3	GEHÄUSEDECKEL HM1202C	1
17	265439-6	6-KANTSCHRAUBE M8x15 HM1213C	1
18	417003-1	SEITLICHER GRIFF HM1213C	1
19	252640-2	FLÜGELMUTTER M8 HM1213C	1
20	951166-8	KERBSTIFT 5-24 HM1213C	1
21	417002-3	Halterung f. SCHELLE. HM1213	1
22	317223-6	SEITENGRIFFHALTEPL.82A HM1202C	1
22.2	318505-9	SCHELLENHÄLFTE.f.GRIFF HM1213C	1
23	317224-4	SEITENGRIFFHALTEPL.82B HM1202C	1
23.2	318506-7	SEITENGRIFFHALTEPL.82B HM1213	1
24	417002-3	Halterung f. SCHELLE. HM1213	1
25	213670-8	O-RING 58 HM1202C/TW0200	1
26	310087-7	ZYLINDERGEHÄUSE HM1202C	1
27	216011-7	STAHLKUGEL 5.6	4
28	922451-6	INBUSSCHRAUBE M8x30	4
29	213720-9	O-RING 67 HM1203C/AN911H	1
30	213508-7	O-RING 38 HM0810/T/HM1202C	1
30.2	213510-0	O-RING 36	1

POS	Bestell-Nr.	Artikelbeschreibung	Stk.
31	262083-0	RING 43 HM1202C	1
31.2	262095-3	RING 41 HM1202C	1
32	323878-7	WERKZEUGHALTER HM1202C	1
32.2	323878-7	WERKZEUGHALTER HM1202C	1
32.3	324109-7	WERKZEUGHALTER HM1202C neu	1
33	322908-1	ROLLE 8 322908-1	2
34	213431-6	FLUORIDRING 28 HR4000C/HM120	2
35	213394-6	O-RING 23 HR5001C/HM1202C	2
36	323908-4	SCHLAGBOLZEN HM1202C	1
36.2	324132-2	SCHLAGBOLZEN HM1202C neu	1
37	323909-2	SCHLAGBOLZEN-FÜHRUNG HM1202C	1
38	421691-8	GUMMIRING 25 HM1202C	1
39	323875-3	HÜLSE 24 MIT BUND HM1202C	1
40	416927-8	FÜHRUNGSRING HM1202C	1
40.2	417600-3	FÜHRUNGSRING HM1202C neu	1
41	344790-8	SCHEIBE 49 HM1202C	1
41.2	344998-4	SCHEIBE 49 HM1202C neu	1
42	331554-9	ZYLINDER 44 HM1202C	1
42.2	331608-2	ZYLINDER 44 HM1202C neu	1
43	416928-6	GLEITHÜLSE 49 HM1202C	1
44	257224-1	RING 49 HM1202C	1
45	213508-7	O-RING 38 HM0810/T/HM1202C	1
46	233246-5	DRUCKFEDER 50 HM1202C	1
47	416935-9	GETRIEBE-GEHÄUSEDECKEL HM1202C	1
48	213806-9	O-RING 90 HR2510/HM1202C/1801/	1
49	323910-7	SCHLÄGER HM1202C	1
50	213485-3	O-RING 34 HM1202C	1
51	213485-3	O-RING 34 HM1202C	1
52	213523-1	O-RING 36 HM1202C	1
53	257693-6	HÜLSE 9 HM1202C	1
54	416929-4	KOLBEN HM1202C	1
55	416930-9	PLEUEL HM1202C	1
56	323877-9	KURBELWELLE HM1202C	1
57	211327-5	KUGELLAGER 6304LLU 211327-5	1
58	212113-7	NADELLAGER 1212 212113-7	1
59	317225-2	GETRIEBEGEHÄUSE HM1202C	1
59.2	318102-1	GETRIEBEGEHÄUSE HM1202C neu	1
60	416940-6	REGELELEKTRONIK-DECKEL HM1202C	1
61	415692-6	ARRETIERKNOPF 415692-6	1
62	421507-7	HANDGRIFF HM1100C/40C/1202C	1

POS	Bestell-Nr.	Artikelbeschreibung	Stk.
63	922361-7	INBUSSCHRAUBE M6x40 922361-7	2
64	922353-6	INBUSSCHRAUBE M6x30	2
65	922353-6	INBUSSCHRAUBE M6x30	4
66	416932-5	STIFT 5 HM1202C	2
67	416931-7	SCHALTERHEBEL HM1202C	1
68	211235-0	KUGELLAGER 6202DDW HM1202C	1
68.2	211228-7	KUGELLAGER 6202DDW	1
68.3	211238-4	KUGELLAGER 6202LLU 211238-4	1
69	213273-8	SIMMERRING 17 HM1202C	1
70	516803-7	ANKER HM1202C	1
70		*** INC. 71,72	
71	681642-5	ISOLIERSCHEIBE HM1213C	1
72	211088-7	KUGELLAGER 6000DDW	1
73	416936-7	LUFTABLEITPLATTE HM1202C	1
74	266095-5	SELBSTSCHN. SCHRAU 5x55 HM1213	2
75	526093-4	FELD HM1202C	1
76	151795-9	MOTORGEHÄUSE HM1202C	1
76.2	158581-9	MOTORGEHÄUSE HM1202C neu	1
77	851765-5	TYPENSCHILD HM1202C	1
78	263002-9	GUMMISTIFT 4 FS2300-6300	1
79	819064-1	ETIKETTE " M A K I T A "	2
80	651481-7	SCHALTER STE215K 651481-7	1
81	631273-0	REGELELEKTRON. HR5001C/HM1202C	1
82	181048-2	KOHLNEN CB-155 SELBSTABSCHALT	1
83	643650-4	KOHLNENKAPPE 6.5x18 (CB153)	2
84	922364-1	INBUSSCHRAUBE M6X40 922364-1	4
85	415695-0	FIXIERSTAB 415695-0	1
86	687053-2	KABELKLEMMPLATTE neu	1
87	265995-6	SELBSTSCHN.SCHRA 4x18 BO5030	2
88	416937-5	MOTORGEHÄUSEDECKEL HM1202C	1
89	265995-6	SELBSTSCHN.SCHRA 4x18 BO5030	2
90	682560-0	KABELSCHUTZ 10 HM3541FC	1
91	695123-3	KABEL 1.5-2-4.0 KP3125	1
92	213508-7	O-RING 38 HM0810/T/HM1202C	2
93	417576-4	HÜLSE 39 HM1202C neu	1
94	421914-4	Schutz für Elektronik HM1202C	1
95	267809-5	KLEMMSCHEIBE 19 HM1202C neu	1
1001	181573-3	Fett f.Bohrer&Meißelsch HR3541	1
1001.2	181573-3	Fett f.Bohrer&Meißelsch HR3541	1
1001.3	194683-7	Fett f. Bohrer & Meißelschaft	1

POS	Bestell-Nr.	Artikelbeschreibung	Stk.
1002	824564 - 8	TRANSPORTKOFFER HM1202C	1
1003	A - 80787	Spitzmeis. 280 SDS-MAX HM1213C	1
2001	134885 - 3	SEITL.GRIFF KOMPL.(D-GRIFF) HM	1
2001		*** INC. 17-24	
2001.2	135269 - 8	D-GRIFF KOMPL.HM1203C	1
2001.2		*** INC. 17-24	